

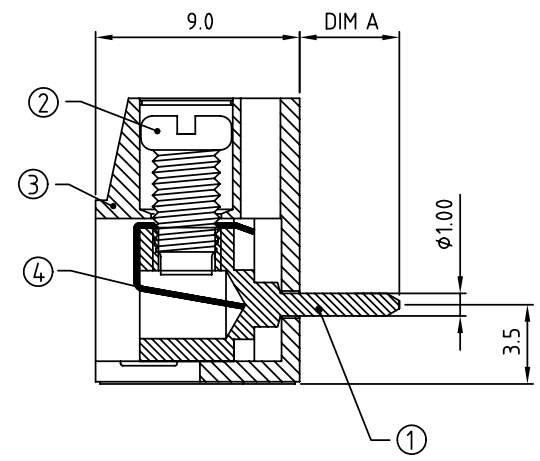
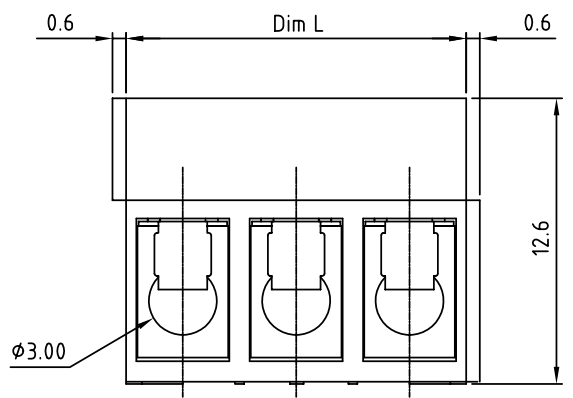
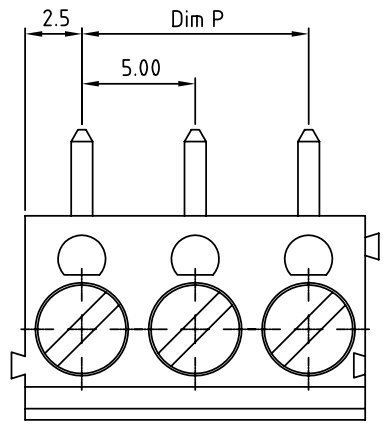
SIGN	DATE	DESCRIPTION	APPROVER
△	2/11'06	Electrical and Part No. is changed.	Marvin
△	03/08'10	Standard spec is changed.	Wellch

*THIS IS CAD DRAWING, DO NOT REVISE MANUALLY!!!*

**Material**

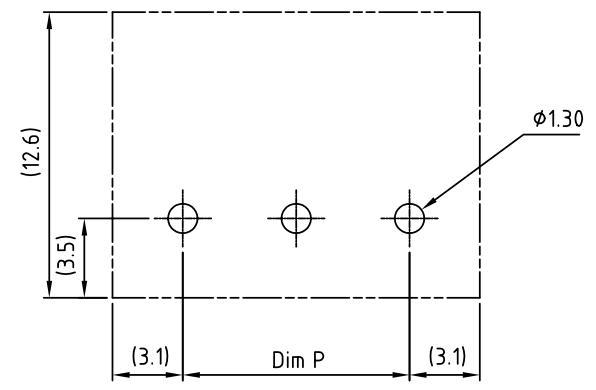
- Terminal body
- ① (metal housing): Brass(CuZn)
  - ② Terminal screw: Steel Zinc plating "-" slot type
  - ③ Wire guard: Stainless steel
  - ④ Insulator (housing): Thermoplastic (UL94V-0)

- △△ Electrical UL
- Voltage rating: 250VAC
  - Current rating: 16A
  - Wire range:
  - Solid wire(AWG): 14~22
  - Stranded wire(AWG): 14~22
  - Torque: 2.6Lb-In
  - Screw: M3
  - Wire strip length: 6-7mm
  - Withstanding Voltage: 1.5KV
  - Operating temperature: -40°C to +115°C
  - Soldering temperature: 250°C±10°C/5 Sec
  - Safety Approval:



**TB xx 0 1 x x xxxx G** △

POLES			DIM A Length	000 0 Standard
02 02 CONTACTS	0	Black	0 4.4mm	Any special item by
03 03 CONTACTS	5	Green	1 3.8mm	customer request,
...	6	Blue	2 3.5mm	please contact sales
24 24 CONTACTS	8	Light grey		department.



**P.C.B. LAYOUT**

N=NUMBER OF CONTACTS  
 Dim.L=Nx5.0  
 Dim.P=(N-1)x5.0

Poles Dim.	2P~6P	7P~12P	13P~18P	19P~24P
Dim.L	±0.15	±0.25	±0.35	±0.45
Dim.P	±0.10	±0.15	±0.25	±0.35

<h1>ANYTEK</h1>		<h2>CUSTOMER COPY</h2>	
ALL RIGHTS RESERVED. REPRODUCTION OR ISSUE TO THIRD PARTIES IN ANY FORM WHATSOEVER IS NOT PERMITTED WITHOUT WRITTEN AUTHORITY FROM THE PROPRIETOR. PROPERTY OF ANYTEK TECHNOLOGY CO., LTD			
TITLE: TB 5.0 series 2-Interlock		DWG NO.: 8TB0001	
PART NO.: TAx01xx0000G		CUST NO.:	
APPROVED:	CHECKED:	DESIGNED:	DRAWN:
		Wellch 2010.02.25	Marvin 2006.02.11
		Tolerance X. ±0.50 X.X ±0.30 X.XX ±0.10 X° ±1°	
SHEET: 01/01		UNIT: mm SCALE: NONE REV.: D	